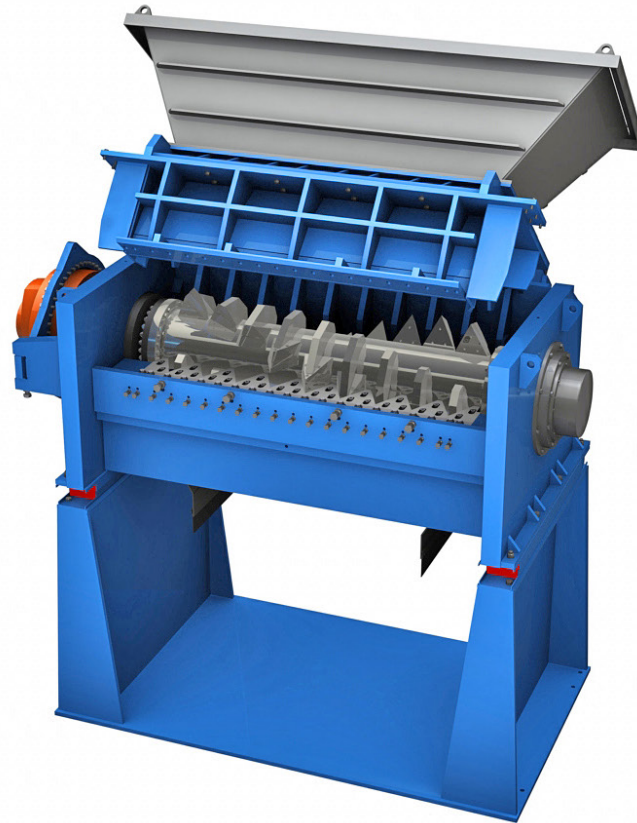


ELDAN Super Choppers

Up to 20000 kg/h



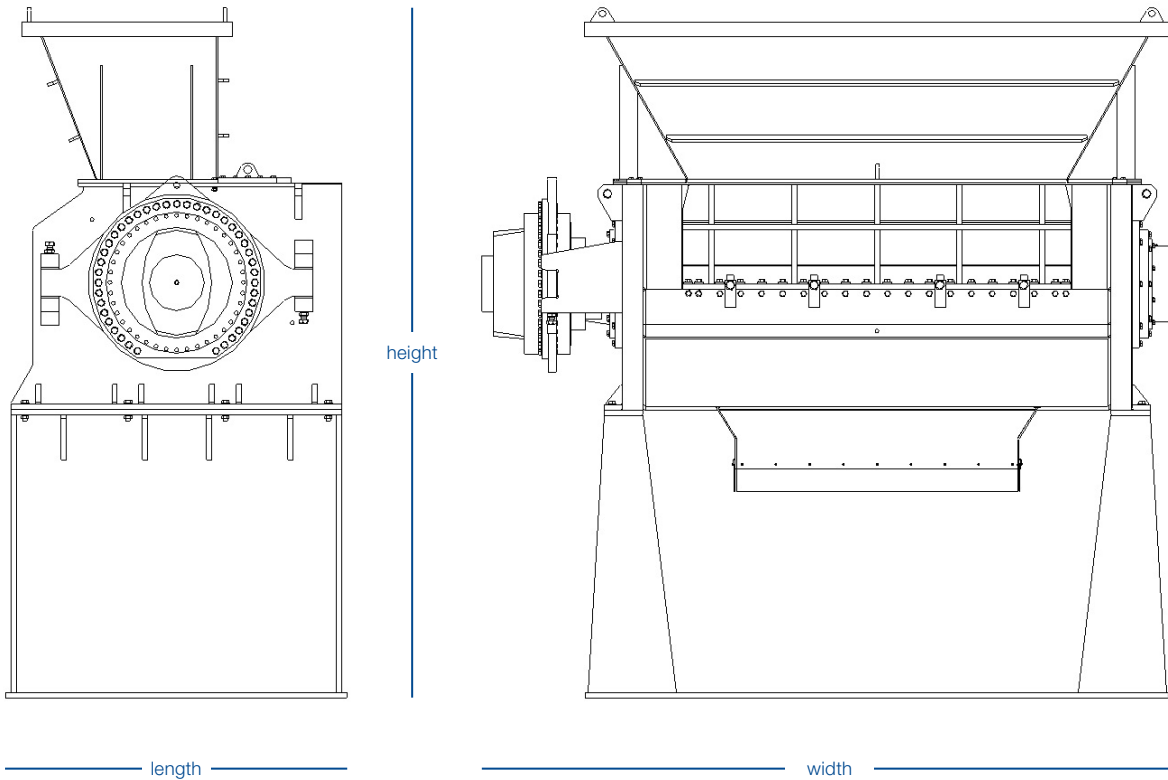
SUPER CHOPPERS

The ELDAN Super Choppers are heavy duty pre-choppers designed as first step in any recycling process. The Super Choppers can be used for pre-chopping of most materials like tyres (without prior debanding), all types of aluminium scrap, cables, electronic and electrical waste (i.e. WEEE), refrigerators, municipal solid waste (i.e. MSW), wind mill wings (cut-off), plastics and industrial waste.

- Low speed, high torque enabling processing of tough material
- Powered directly by Hägglund/Bosch-Rexroth hydraulic motor and power unit enabling automatic reverse for overload protection thus minimizing knife damages
- Starts up when fully loaded with material – reducing downtime after shutdown
- Adjustable knife clearance optimizes the cutting function
- The knives can be reground multiple times on a “flat-bed” grinder ensuring long life and low operation costs
- The machine is designed for quick and easy change of knives
- Unique rotor manufactured and designed for minimum wear
- An optional feature is a hydraulic operated upper part for easy access to the rotor



Super Choppers



Technical specifications	SC1412/160	SC2109/250	SC2118/250	Units (EN / US)
Electrical motor	160	250	250	kW
Hägglund hydraulic motor *	CB400	CB560	CB560	pcs
Rotor length	1400 / 55	2100 / 82	2100 / 82	mm / in
Rotor speed	0-28	0-21	0-21	rpm
Knives - flying	12	9	18	pcs
Knives - static	7	10	10	pcs
Capacity **	Up to 12000 / 26500	Up to 20000 / 44000	Up to 20000 / 44000	kg/lbs per production hour
Weight (approx.)	15000 / 33000	24000 / 53000	24000 / 53000	kg / lbs
Length	2000 / 78	2300 / 90	2300 / 90	mm / in
Width	3000 / 118	3800 / 150	3800 / 150	mm / in
Height	3750 / 148	4050 / 160	4050 / 160	mm / in

Standard voltage: 3 ph, 400 V, 50 Hz - for other voltages please contact our sales department

* Other motor options available on request

** Depending on type of input material and method of feeding

