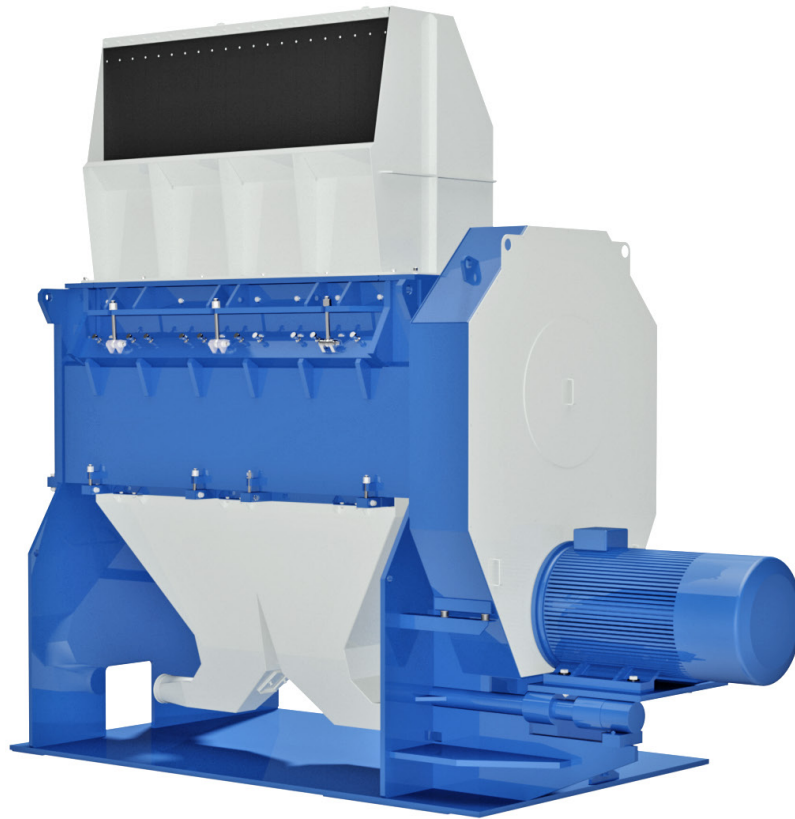


ELDAN Heavy Granulators

Up to 8000 kg/h



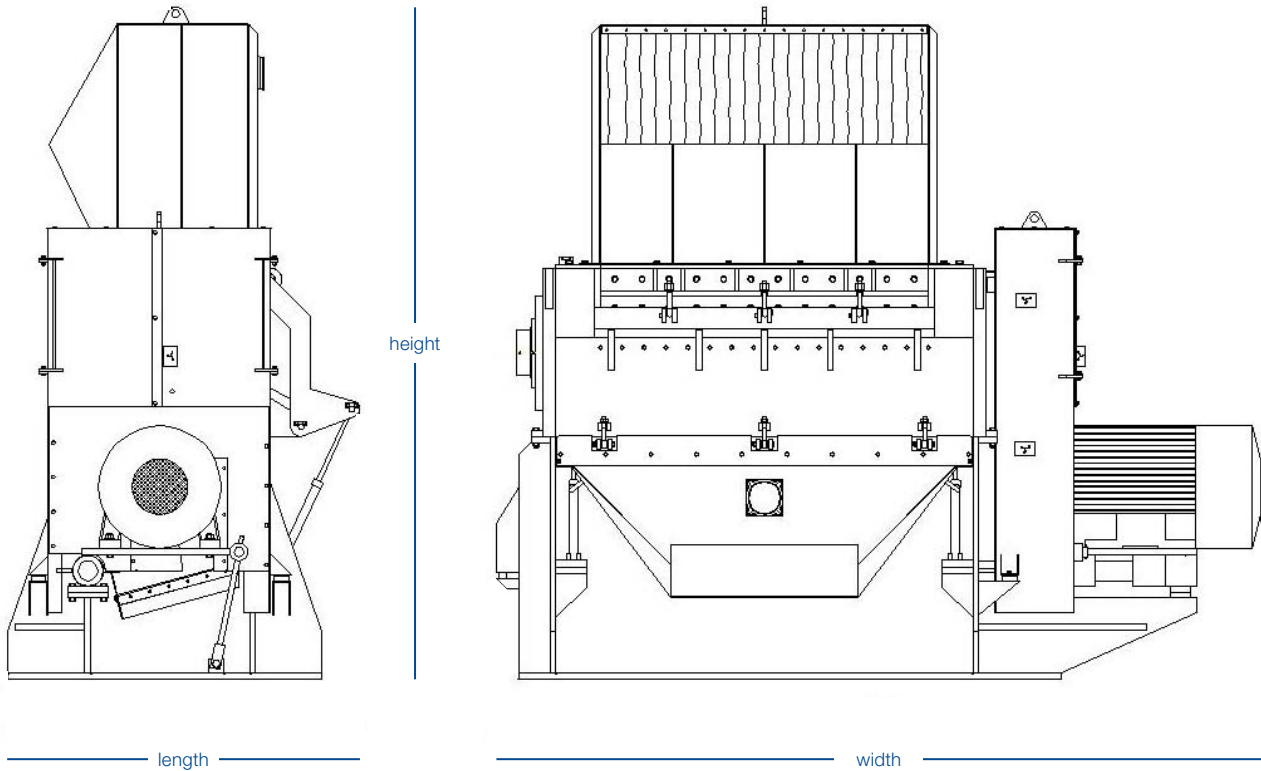
HEAVY GRANULATORS

The high-speed, single shaft Heavy Granulators are ideally suited for the initial stage of granulation. The Heavy Granulators can be used for size reduction of materials like electronic and electrical waste (i.e. WEEE), cables (pre-chopped), aluminium scrap (all types), shredder light fraction (SLF/ASR), municipal solid waste (i.e. MSW), plastics, etc.

- High speed, single shaft granulator
- Friction clutches protect the machine in case of material overload
- Adjustable knife clearance optimizing the cutting function
- The knives can be reground multiple times on a “flat-bed” grinder ensuring long life and low operation costs
- The design of the machine ensures quick and easy change of knives and wear plates in the main housing
- Straight knives in exchangeable cassettes ensure a clean cut
- The rotor is manufactured and designed for minimum wear
- Hydraulic opening of rotor housing for easy access to rotor and knives
- Screens are available with different hole sizes
- Easy change of screens ensures flexible production
- Exchangeable wear parts give you a virtually indestructible machine



Heavy Granulators



Technical specifications	HG129	HG169	HG209	Units (EN/US)
Rotor	1200 / 48	1600 / 64	2000 / 80	mm / in
Rotor speed	400	400	400	rpm
Knives - flying	15	20	25	pcs
Knives - static	6	8	10	pcs
Capacity *	Up to 5000 / 11000	Up to 6000 / 13200	Up to 8000 / 17600	kg/lbs per production hour
Motor	90	110	160	kW
Motor speed	1480	1480	1480	rpm
Weight (approx.)	12500 / 27500	15600 / 34320	23000 / 50600	kg / lbs
Length	1800 / 72	1800 / 72	2350 / 94	mm / in
Width	3450 / 138	3900 / 156	4600 / 184	mm / in
Height	3450 / 138	3450 / 138	4350 / 174	mm / in

Standard voltage: 3 ph, 400, 50 Hz – for other voltages please contact our sales department
 * Depending on type of Input material, method of feeding and screen size

